



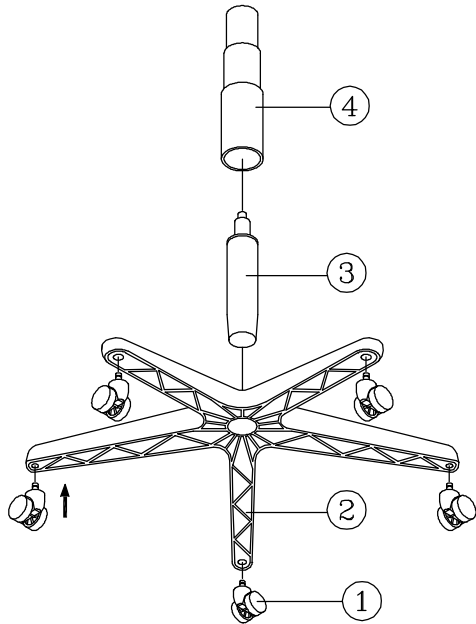
# ASSEMBLY INSTRUCTIONS

Remove all items from the carton . Verify all pieces before assembly.

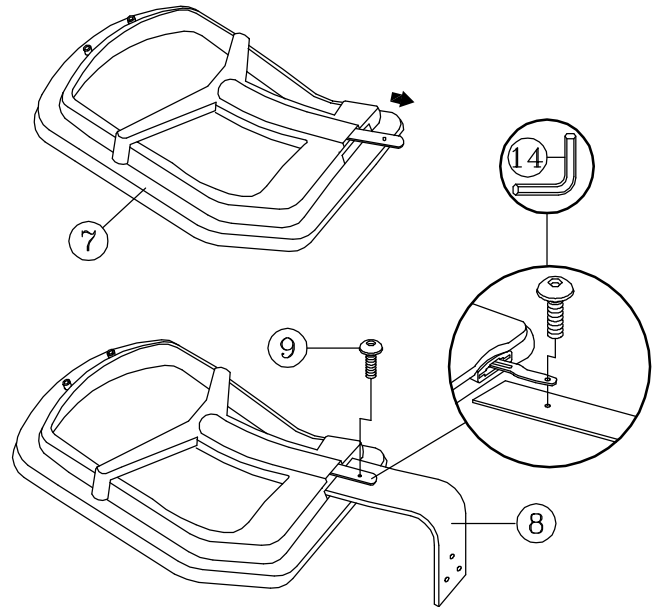
## PARTS LIST

KEY QTY	DESCRIPTION	KEY QTY	DESCRIPTION	KEY QTY	DESCRIPTION
1	5	Caster	7	1	Backrest
2	1	Base	8	1	Backrest Post
3	1	Seat Post	9	1	Backrest / Ratchet Screw 8x10mm
4	1	Seat Post Cover	10	3	Mechanism Bracket Screw 8x20mm + Washer
5	1	Mechanism	11	2	Armrest
6	1	Seat	12	2	Arm Width Adjustment Knob +Washer
			13	1	Armrest Support Bar
			14	1	M5 Size Allen Wrench

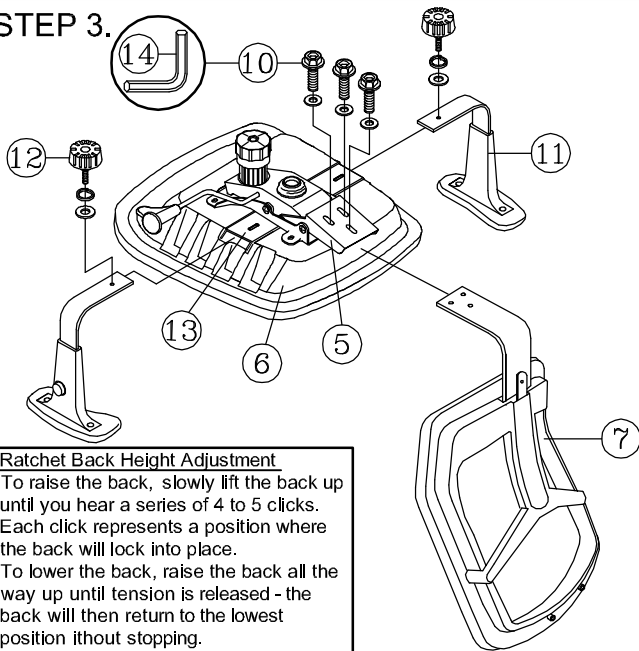
### STEP 1.



### STEP 2.



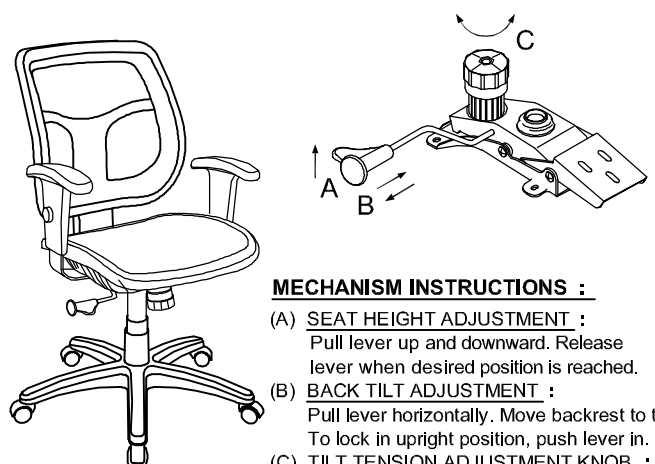
### STEP 3.



#### Ratchet Back Height Adjustment

To raise the back, slowly lift the back up until you hear a series of 4 to 5 clicks. Each click represents a position where the back will lock into place. To lower the back, raise the back all the way up until tension is released - the back will then return to the lowest position without stopping. Raise back up to desired position.

If the up/down operation of the ratchet back feels tight, raise and lower the back several times after assembling the chair to insure smooth functioning.



#### MECHANISM INSTRUCTIONS :

- SEAT HEIGHT ADJUSTMENT :**  
Pull lever up and downward. Release lever when desired position is reached.
- BACK TILT ADJUSTMENT :**  
Pull lever horizontally. Move backrest to tilt. To lock in upright position, push lever in.
- TILT TENSION ADJUSTMENT KNOB :**  
Rotate knob clockwise/counter-clockwise to adjust tilt tension based on body weight.

#### PREVENTIVE MAINTENANCE AND WARNING!

- USE THIS PRODUCT ONLY FOR SEATING ONE PERSON AT A TIME.
- DO NOT USE THIS CHAIR AS A STEP STOOL / LADDER.
- DO NOT SIT ON ANY PART OF THE CHAIR EXCEPT THE SEAT.
- DO NOT USE CHAIR ON UNEVEN FLOOR SURFACES.
- DO NOT USE CHAIR UNLESS ALL BOLTS, SCREWS AND KNOBS ARE TIGHTENED.
- EVERY SIX MONTHS, PLEASE MAKE SURE ALL BOLTS, SCREWS AND KNOBS ARE FULLY TIGHTENED TO ENSURE STABILITY.
- IF ANY PARTS ARE MISSING, BROKEN, DAMAGED OR WORN, STOP USE OF THE PRODUCT UNTIL REPAIRS ARE MADE USING FACTORY AUTHORIZED PARTS.
- DISPOSE OF PACKAGING PROPERLY. PLASTIC BAG IS NOT A TOY. DO NOT USE PLASTIC BAG AS HEAD COVERING - IT MAY CAUSE SUFFOCATION.
- FAILURE TO FOLLOW THESE WARNINGS COULD RESULT IN SERIOUS INJURY.
- NOTE: SOME SCREWS MAY BE PREASSEMBLED. IF PREASSEMBLED, IGNORE ASSEMBLY INSTRUCTIONS.

M3900